



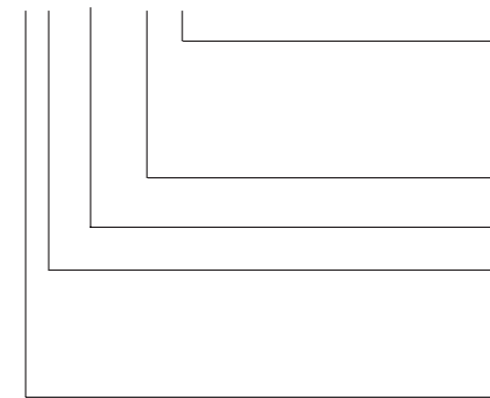
YAQ/YAR/YAW 系列壁式轴流风机

概述

YAQ 壁式轴流系列风机由本公司自行设计开发,具有效率高、噪声低、结构紧凑、安装方便、运行可靠的特点。该样本中列出的 9 种规格轴流风机型号从 315mm-800mm,风量从 500m³/h-20000m³/h,全压可以达到 200Pa。在此基础上衍生出来 YAR 和 YAW 两种具有不同安装形式的风机。此类风机可广泛用于冷凝器、蒸发器、屋顶排风等制冷通风行业。

命名方式

YAQ 250 - 4 E



Summary

The YAQ Series axial fans were developed by the company. Some of the features and characteristics of these fans are: high efficiency, low noise, compact form, easy installation and low power consumption. There are 9 models of the axial fans in the YAQ/YAR series that ranges from sizes 315 to 800 mm wheel diameter. The air volume ranges from 500 m³/h to 20,000 m³/h, and the total pressure can be achieved 200 Pa. YAR and YAW are the derived fans according to the YAQ. They are different in installation type. These fans are used widely in condenser, evaporator, roof fan and other ventilation industries.

Nomenclature

电机	Motor
E = 单相 A.C.220V	Single phase A.C.220V
D = 三相	Three phase
电机级数	Motor Poles
叶轮直径 (mm)	Impeller diameter (mm)
类型	Type
Q = 矩形面板	Square Wallplate
R = 管道法兰	Duct Flange
W = 边墙弯管	Wall Elbow
壁式轴流风机	Wall Axial Fan

产品结构

YAQ/YAR/YAW 系列壁式轴流风机主要有机壳、叶轮、电机、防护网、接线盒等部件组成。
带矩形集流器的轴流风机主要应用于餐厅、体育馆、会议室、车间、仓库、游泳池及温室等通风系统。
带双边法兰壳体的轴流风机主要应用于管道空调系统,冷却设备及干燥设备。

1.机壳

YAQ 壳体采用优质冷轧板整体拉伸成型, YAR 圆筒体采用滚圆翻边成型, YAW 壳体采用方形管道加上防雨弯头焊接而成;表面静电喷涂处理。盐雾试验达 500 小时以上。

2.叶轮

该轴流风机的叶片被设计成符合空气动力形状的外形,采用优质镀锌钢板制成,喷漆处理。叶片直接安装在外转子电机的转子上,并根据 AMCA204-05 标准做双面整体平衡,平衡精度等级为 G2.5 级。

3.电机

电机具有热保护功能,100% 可自动变压调速或电磁调速。交流单相 220V-240V,三相 380-415V 可供选择。防护等级 IP54,绝缘等级 B、F、H 级可供客户选择或定制。电机平均使用寿命在 24000 小时以上。产品通过中国 CCC 认证及欧洲 CE 认证。

Construction of Product

YAQ/YAR/YAW series fans are mainly constructed of housing, impeller, motor, fence, and terminal box.
Fan with square inlet come are used for ventilation restaurants, gymnasiums, meeting rooms, workshops, warehouses, swimming pools and greenhouses.
Fan with double flange ring are used in duct systems of air conditioning units, cooling and drying application.

1.Housing

The YAQ housing is made of cold-roll steel sheet by stretch thermoforming, The YAR housing is made of rounded flange forming. The surface deal with electrostatic spraying surface. Salt spray test is over 500 hours.

2.Impeller

The impeller is constructed of galvanized steel sheet by paint coating with the advanced aerodynamics profile. The impellers are fitted directly onto the rotor of the external rotor motor. These units are balanced at two levels according to G2.5 of AMCA204-05.

3.Motor

The motor is with thermal protection, Speed can be changed by automatic transformer or electromagnetic. The AC single-phase 220V-240V and three phase 380-415V are available. The safety grade of this series is IP54, and the insulation classes are available among B, F and H. The average longevity of service is over 24,000 hours. The products have got the CCC certificate in china and CE approval in Europe.

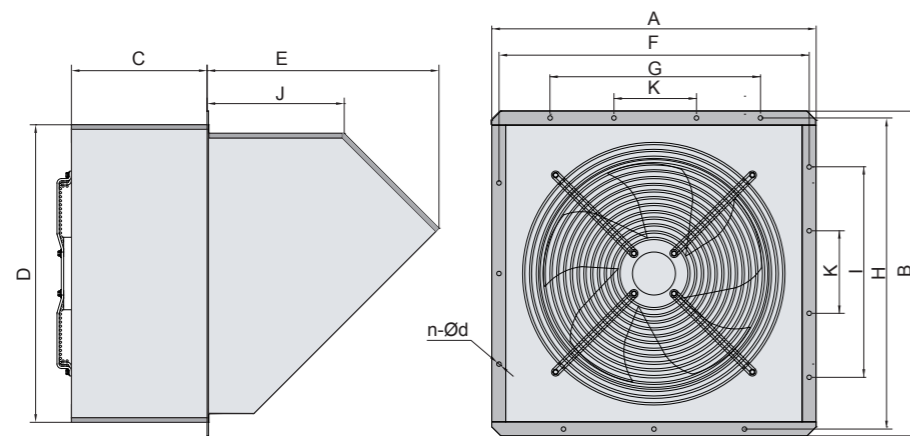
4.防护网

高强度优质铁丝网,采用低阻力设计技术,网格面积和钢丝截面分布符合气流特性。

5.电气连接

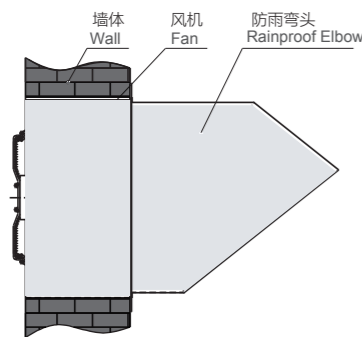
电机与防护等级为 IP44 的接线盒相连。接线盒可拆卸。

YAW 边墙系列轴流风机外形图



型号 尺寸	A	B	C	D	E	F	G	H	I	J	K	n-Ød
YAW250	432	432	200	372	309	402	320	402	320	-	-	12-Φ10
YAW315	492	492	200	432	350	462	400	462	400	-	-	12-Φ10
YAW355	547	547	220	487	400.5	517	400	517	400	-	-	12-Φ10
YAW400	602	602	250	542	425	572	400	572	400	253	-	12-Φ10
YAW450	637	637	250	577	447.5	607	400	607	400	253	-	12-Φ10
YAW500	717	717	300	657	512	687	400	687	400	303	-	12-Φ10
YAW560	827	827	300	727	598.5	777	600	777	600	354	-	12-Φ12
YAW630	909	909	350	809	628.5	859	600	859	600	354	200	16-Φ12
YAW710	954	954	400	854	626	864	600	864	600	-	200	16-Φ12

YAW 边墙系列轴流风机安装示意图



YAW Wall Series Axial Fan Installation Schematic Diagram

风机型号 Fan Type	墙体开口尺寸 Wall opening size
YAW 200	332*332
YAW 250	390*390
YAW 315	450*450
YAW 355	505*505
YAW 400	560*560
YAW 450	600*600
YAW 500	680*680
YAW 560	750*750
YAW 630	830*830
YAW 710	875*875

声级

性能曲线上的噪声值 L_{WA} 是风机出口的声功率级,是一个 A 分贝值, L_{WA} 是风机进口处的声功率级,两者数值相等。机壳声功率级 L_{WA2} 是根据 AMCA 300 规定的混响室方法测定的。

可采用下列公式计算:

$$L_{WA2} \approx L_{WA} - 8\text{dB} \text{ (该公式只适用于 YAQ、YAR、YAW)}$$

L_{PA} 是距离声源 1 米处的 A 声压级,可从声功率级中减 7dB 近似得到:

$$L_{PA(1m)} \approx L_{WA2} - 7\text{dB}$$

但是, A 声压级会随反射,测试室的特性及固有频率的变化而变化。

A 倍频带声功率级是选择消声器的重要依据,该值可由下式获得:

$$L_{WAokt} \approx L_{WA} + L_{WArel}$$

相对倍程声功率级 L_{WArel} 在中间频率的值可在下表中由相对应的风机得到,该值是在 $0.5 \times V_{max}$ 处测试得到。

说明

- 1) 订货时须注明风机型号、转速、风量、风压、出风口方向和旋转方向。若需配套消音装置、防雨弯头、减振器、防鸟网等配件及其它特殊要求可在订货时提出。
- 2) 在安装前应对风机各部件进行检查,对叶轮、主轴和轴承等主要机件应重点细致检查,如有损伤应修复后再安装使用。
- 3) 检查机壳和其它壳体内部,不应有掉入、遗留的工具和杂物。
- 4) 风机正式运转前,需检查电机的转向是否符合风机转向的要求。
- 5) 风管与出风口之间应采用软连接,接头不得拉紧。
- 6) 风机安装后用手或杠杆拨动叶轮,检查是否过紧或碰撞现象,确认无这些现象时方可进行试转。
- 7) 风机在无较大腐蚀性气体、不含酸(碱)性和尘粒物质 $<150\text{mg}/\text{m}^3$ 的气体、 $-20^\circ\text{C} < \text{温度} < 40^\circ\text{C}$ 的气体环境下使用,风机在运输装卸过程中应小心轻放,防止碰撞挤压。

Noise levels

The figures in the air performance curves are the "A" decibel figures which are the sound power levels L_{WA} , at the outlet side, The "A" sound power level at the inlet side L_{WA} is identical to L_{WA} . The "A" casing sound power level L_{WA2} , according to DIN 45 635, part 38, is obtained

approximately as follows:

$$L_{WA2} \approx L_{WA} - 8\text{dB only for YAQ YAR}$$

The "A" sound pressure level L_{PA} at a distance of 1 meter is obtained approximately by deducting 7 dB(A) from the "A" sound pressure levels.

$$L_{PA(1m)} \approx L_{WA2} - 7\text{dB}$$

The A-weighted octave sound power level is important for the choice of suitable sound attenuators, it is obtained as follows:

$$L_{WAokt} \approx L_{WA} + L_{WArel}$$

The relative A-weighted octave sound power level L_{WArel} at octave medium frequency can be taken from the tables (see following pages), These levels has been established at $0.5 \times V_{max}$.

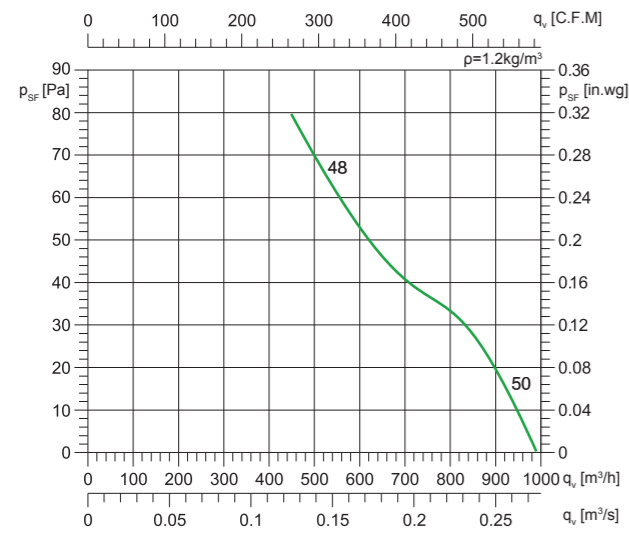
Instructions

- 1) When placing the order, it is necessary to state the type of fan, speed, air volume, air pressure, discharge direction, rotation direction, type of electric motor and its specifications. If the required matching silencer, rain-proof elbow, vibration absorber, protective screening and other accessories and other special requirements can be mentioned in order.
- 2) Prior to installation, the fan should be carefully inspected. Special care should be taken in checking the shaft, impeller and bearings. If there is an indication of any damage, the damaged parts should be repaired or replaced before the fan is installed or commissioned.
- 3) The inside of the scroll and casing need to be checked to make sure that there are no foreign objects inside the housing, such as tools or loose parts.
- 4) The rotational directions of the motor and impeller should be checked to ensure that they are in compliance with the specification and purchase orders.
- 5) A flexible connector should be used between the fan out let flange and its mating ductwork. The flex connector should not be over-stretched.
- 6) Following the installation, the impeller should be turned by hand or with the use of a wrench to make sure that it turns freely without colliding with other parts of the fan. Once all this is done, the fan can be commissioned normally.
- 7) The fan is limited for use in areas where air substances are non-corrosive, non-toxic and non-erosive and where dust particles are less than $150\text{mg}/\text{m}^3$ with a temperature between -20°C and 40°C . Special care should be taken during transportation, load and unload.

技术参数

Technical Data

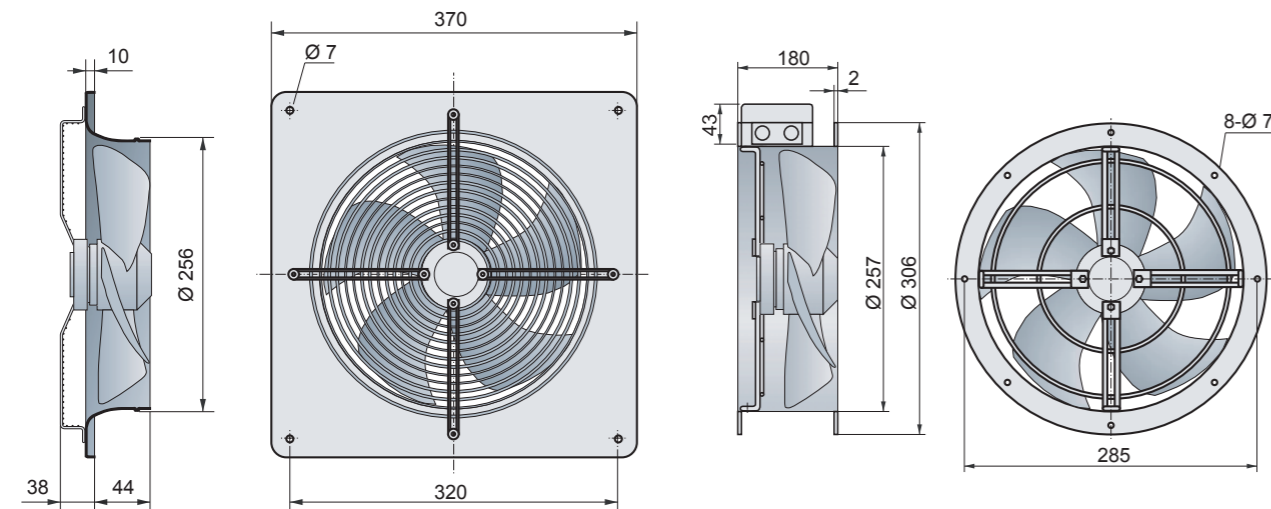
YAQ/YAR/YAW 250-4 E



Type:	m: 4.3/4.8 kg	P_N : 0.05kW-4P					
YAQ/YAR/YAW	U: 220 v	f_1 : 50HZ					
250-4 E	I_N : 0.24 A	N: 1400 r/min					
Δ dB	125Hz	250Hz	500Hz	1kHz	2kHz	4kHz	8kHz
$L_{w(A)}$	-32	-19	-10	-6	-4	-9	-22
$L_{w(B)}$	-32	-19	-10	-6	-4	-9	-22

YAQ/YAR/YAW 外形及安装尺寸

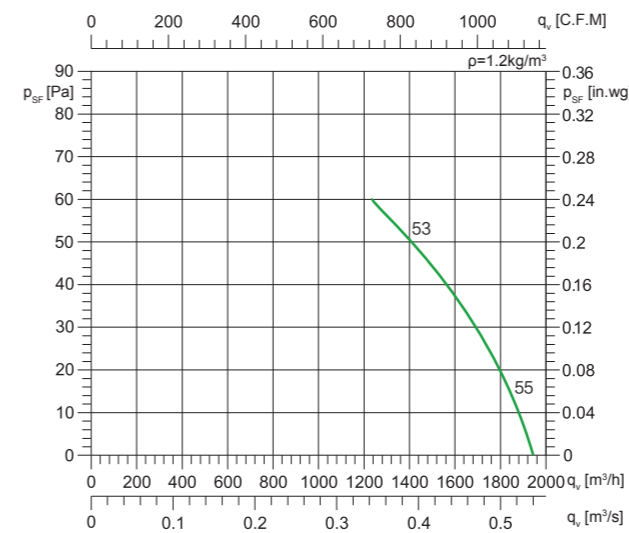
YAQ/YAR/YAW Overall Size



技术参数

Technical Data

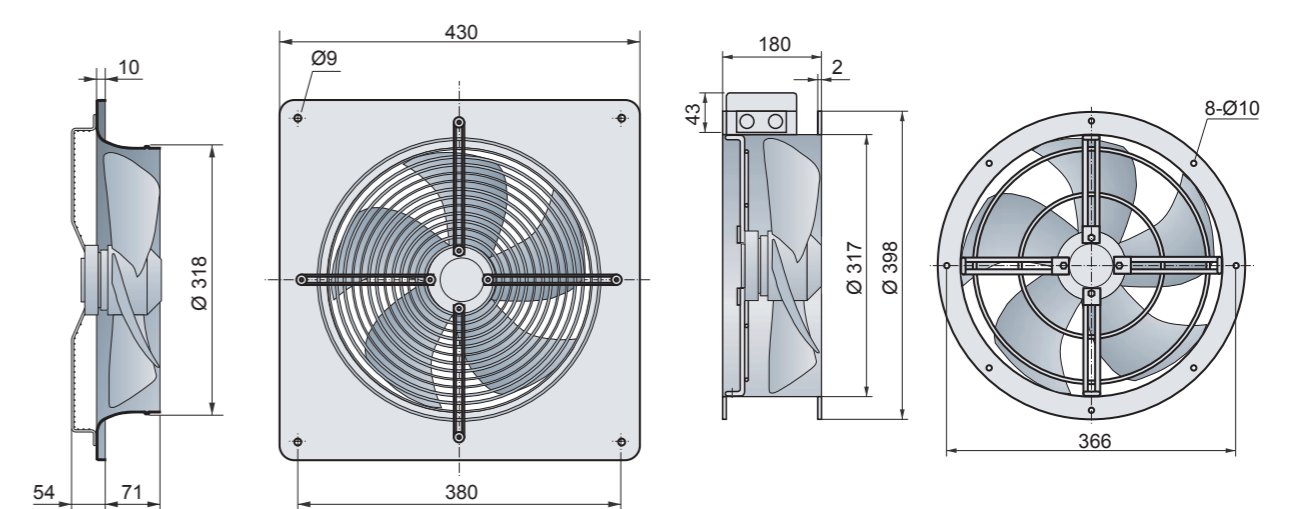
YAQ/YAR/YAW 315-4 E



Type:	m: 5.6/7.3 kg	P_N : 0.09kW-4P					
YAQ/YAR/YAW	U: 220 v	f_1 : 50HZ					
315-4 E	I_N : 0.43 A	N: 1380 r/min					
Δ dB	125Hz	250Hz	500Hz	1kHz	2kHz	4kHz	8kHz
$L_{w(A)}$	-36	-17	-8	-7	-6	-9	-19
$L_{w(B)}$	-36	-17	-8	-7	-6	-9	-19

YAQ/YAR/YAW 外形及安装尺寸

YAQ/YAR/YAW Overall Size

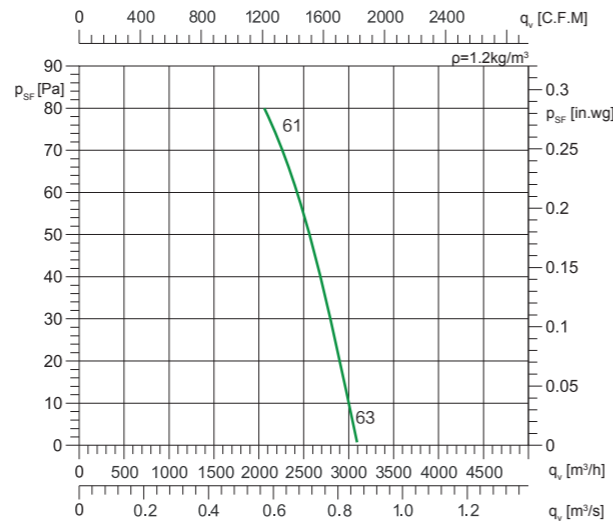
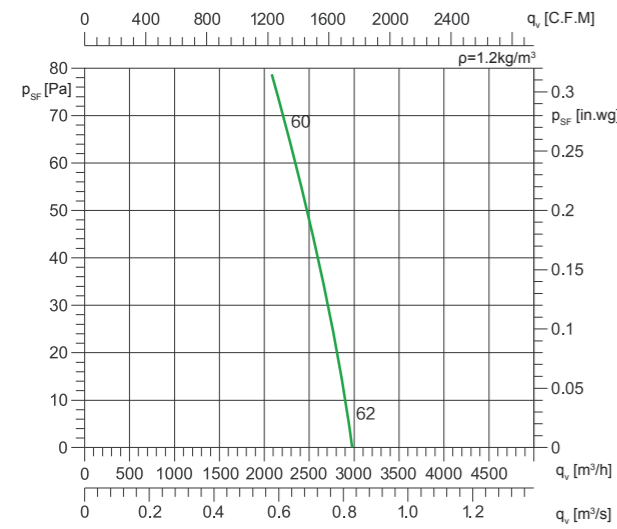


技术参数

Technical Data

YAQ/YAR/YAW 355-4 E

YAQ/YAR/YAW 355-4 D

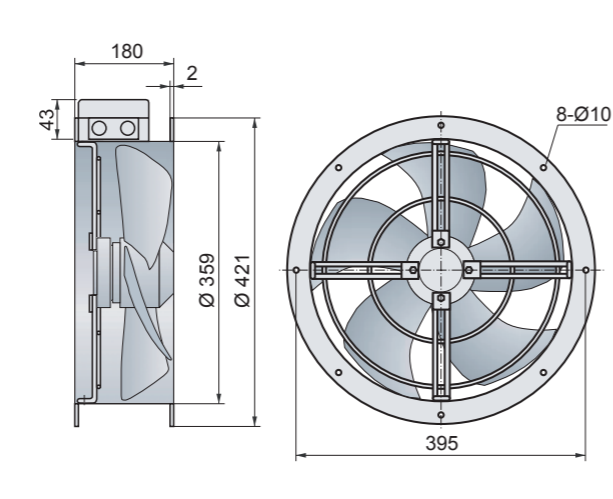
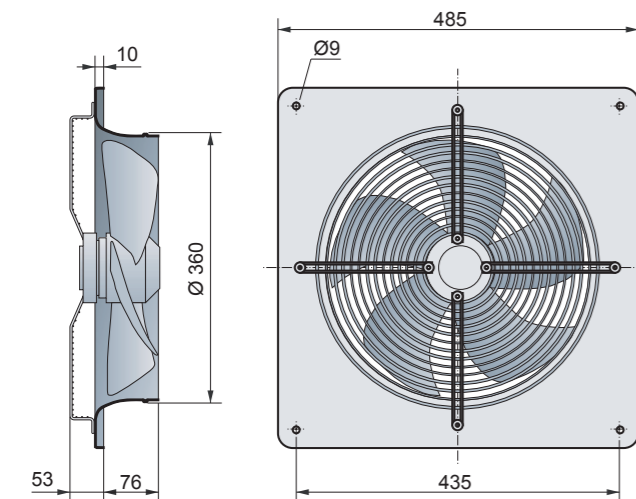


Type:	m: 7.8/9 kg		P _N : 0.15kW-4P				
YAQ/YAR/YAW	U: 220 v		f _i : 50HZ				
355-4 E	I _N : 0.7 A		N: 1380 r/min				
ΔdB	125Hz	250Hz	500Hz	1kHz	2kHz	4kHz	8kHz
L _w (A)	-38	-23	-11	-6	-4	-6	-17
L _{w0} (A)	-38	-23	-11	-6	-4	-6	-17

Type:	m: 7.8/9 kg		P _N : 0.15kW-4P				
YAQ/YAR/YAW	U: 380 v		f _i : 50HZ				
355-4 D	I _N : 0.37 A		N: 1380 r/min				
ΔdB	125Hz	250Hz	500Hz	1kHz	2kHz	4kHz	8kHz
L _w (A)	-38	-23	-11	-6	-4	-6	-17
L _{w0} (A)	-38	-23	-11	-6	-4	-6	-17

YAQ/YAR/YAW 外形及安装尺寸

YAQ/YAR/YAW Overall Size

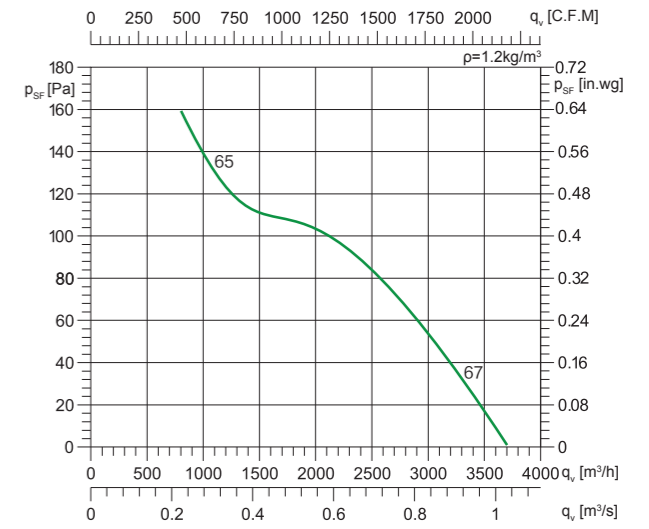
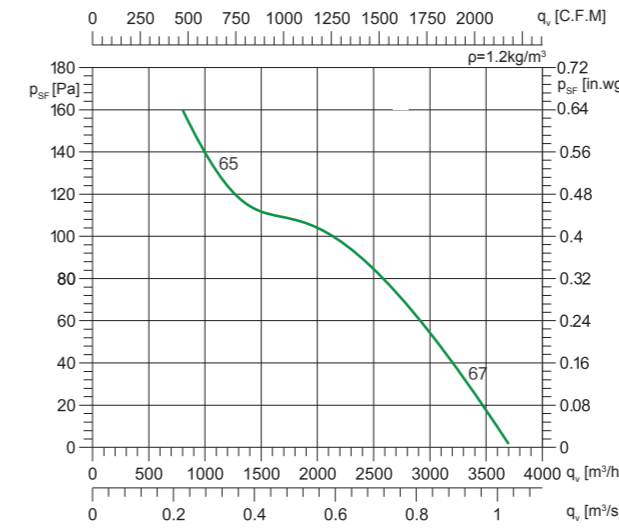


技术参数

Technical Data

YAQ/YAR/YAW 400-4 E

YAQ/YAR/YAW 400-4 D

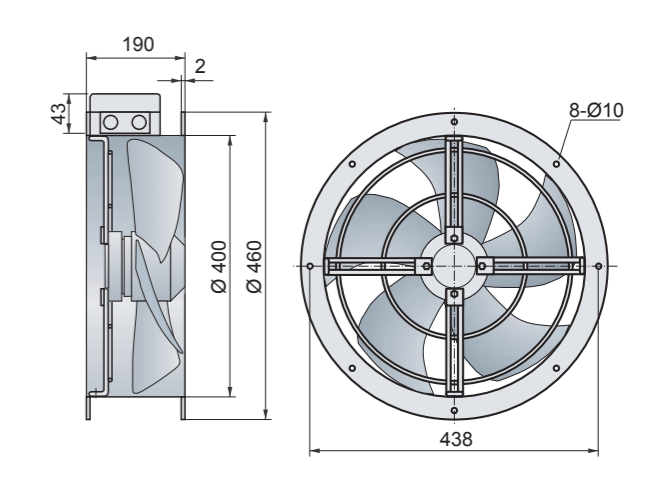
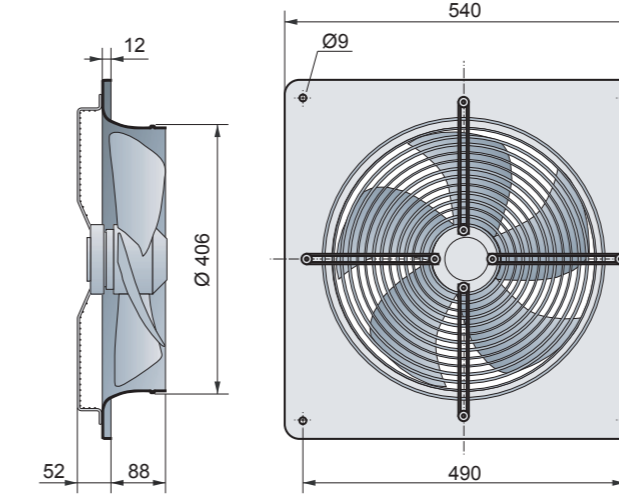


Type:	m: 9.8/11 kg		P _N : 0.195kW-4P				
YAQ/YAR/YAW	U: 220 v		f _i : 50HZ				
400-4 E	I _N : 0.91 A		N: 1400 r/min				
ΔdB	125Hz	250Hz	500Hz	1kHz	2kHz	4kHz	8kHz
L _w (A)	-36	-24	-9	-6	-4	-8	-19
L _{w0} (A)	-36	-24	-9	-6	-4	-8	-19

Type:	m: 9.8/11 kg		P _N : 0.19kW-4P				
YAQ/YAR/YAW	U: 380 v		f _i : 50HZ				
400-4 D	I _N : 0.48 A		N: 1400 r/min				
ΔdB	125Hz	250Hz	500Hz	1kHz	2kHz	4kHz	8kHz
L _w (A)	-36	-24	-9	-6	-4	-8	-19
L _{w0} (A)	-36	-24	-9	-6	-4	-8	-19

YAQ/YAR/YAW 外形及安装尺寸

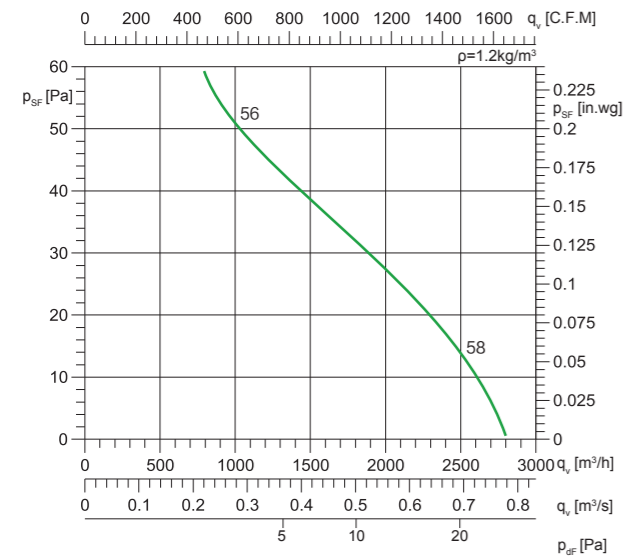
YAQ/YAR/YAW Overall Size



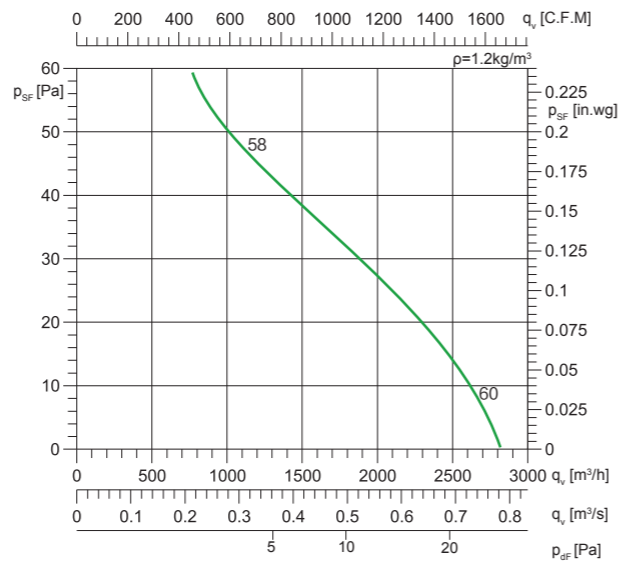
技术参数

Technical Data

YAQ/YAR/YAW 400-6 E



YAQ/YAR/YAW 400-6 D

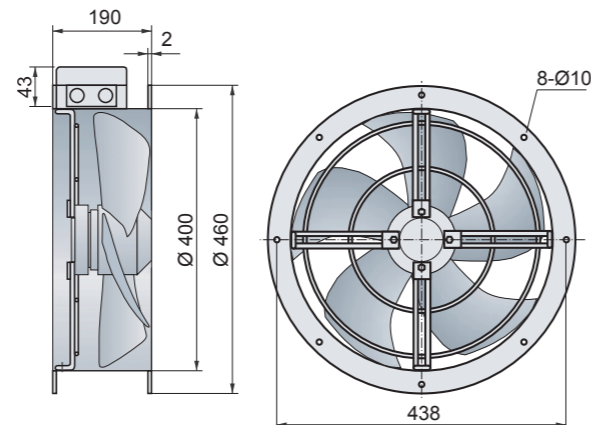
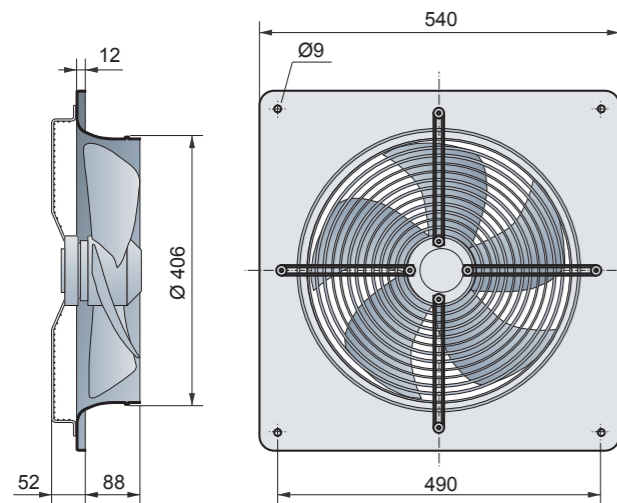


Type:	m: 9.8/11 kg		P _N : 0.12kW-6P				
YAQ/YAR/YAW	U: 220 v		f ₁ : 50HZ				
400-6 E	I _N : 0.56 A		N: 920 r/min				
ΔdB	125Hz	250Hz	500Hz	1kHz	2kHz	4kHz	8kHz
L _w (A)	-24	-16	-10	-7	-4	-9	-19
L _{wc} (A)	-24	-16	-10	-7	-4	-9	-19

Type:	m: 9.8/11 kg		P _N : 0.12kW-6P				
YAQ/YAR/YAW	U: 380 v		f ₁ : 50HZ				
400-6 D	I _N : 0.38 A		N: 920 r/min				
ΔdB	125Hz	250Hz	500Hz	1kHz	2kHz	4kHz	8kHz
L _w (A)	-24	-16	-10	-7	-4	-9	-19
L _{wc} (A)	-24	-16	-10	-7	-4	-9	-19

YAQ/YAR/YAW 外形及安装尺寸

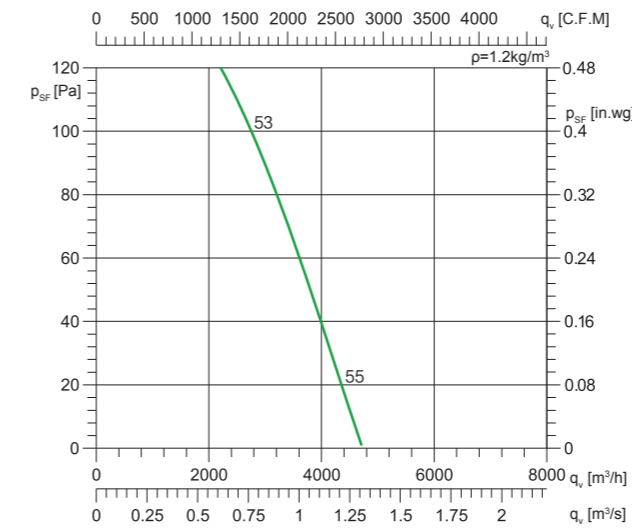
YAQ/YAR/YAW Overall Size



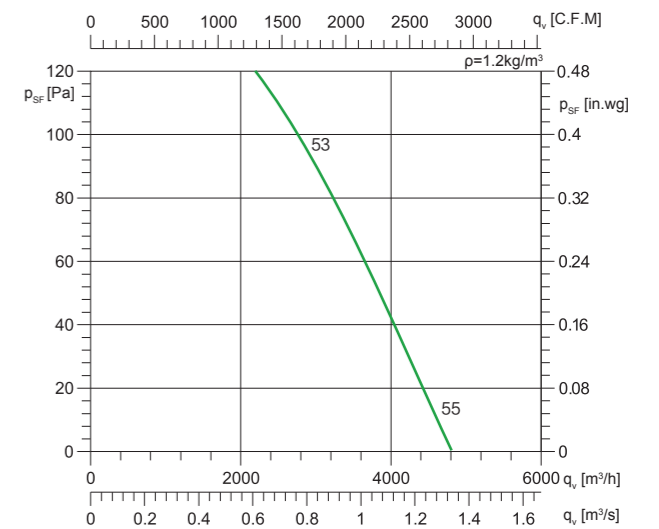
技术参数

Technical Data

YAQ/YAR/YAW 450-4 E



YAQ/YAR/YAW 450-4 D

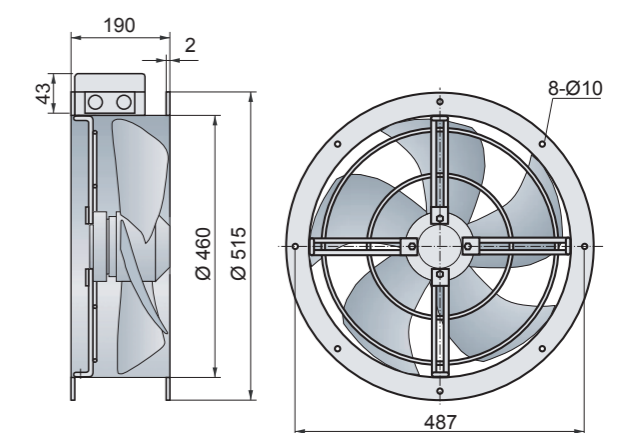
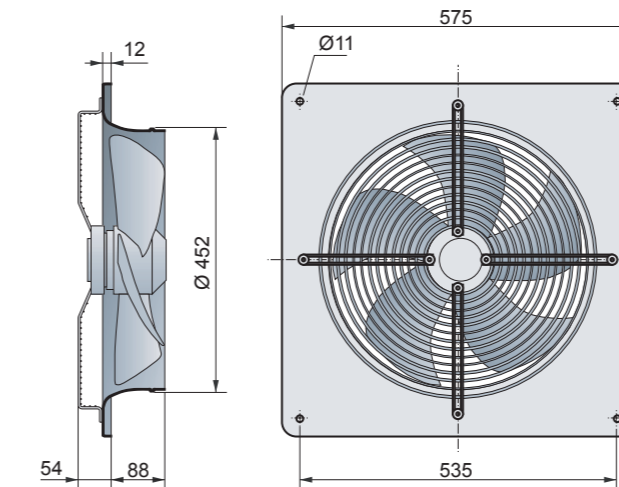


Type:	m: 11/12.4 kg		P _N : 0.24kW-4P				
YAQ/YAR/YAW	U: 220 v		f ₁ : 50HZ				
450-4 E	I _N : 1.08 A		N: 1380 r/min				
ΔdB	125Hz	250Hz	500Hz	1kHz	2kHz	4kHz	8kHz
L _w (A)	-21	-11	-8	-6	-5	-8	-15
L _{wc} (A)	-21	-11	-8	-6	-5	-8	-15

Type:	m: 11/12.4 kg		P _N : 0.24kW-4P				
YAQ/YAR/YAW	U: 380 v		f ₁ : 50HZ				
450-4 D	I _N : 0.6 A		N: 1380 r/min				
ΔdB	125Hz	250Hz	500Hz	1kHz	2kHz	4kHz	8kHz
L _w (A)	-16	1	10	15	17	14	5
L _{wc} (A)	-16	1	10	15	17	14	5

YAQ/YAR/YAW 外形及安装尺寸

YAQ/YAR/YAW Overall Size

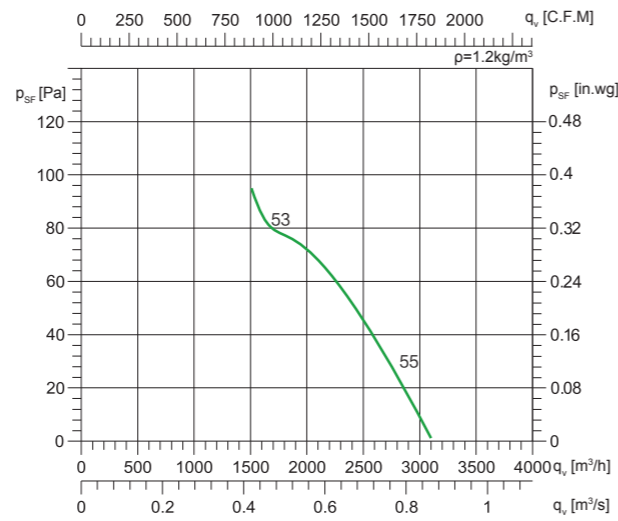
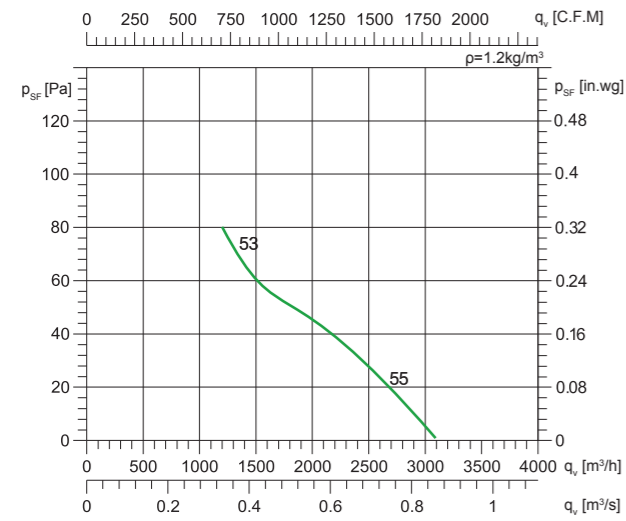


技术参数

Technical Data

YAQ/YAR/YAW 450-6 E

YAQ/YAR/YAW 450-6 D

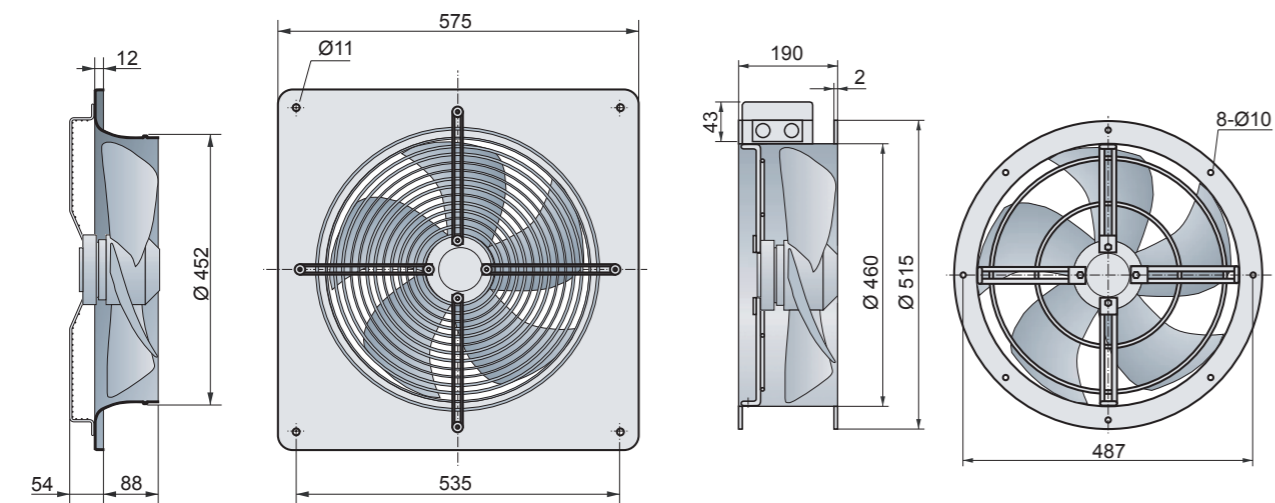


Type:	m: 11/12.4 kg		P _N : 0.16kW-6P				
YAQ/YAR/YAW	U: 220 v		f _i : 50HZ				
450-6 E	I _N : 0.75 A		N: 920 r/min				
ΔdB	125Hz	250Hz	500Hz	1kHz	2kHz	4kHz	8kHz
L _w (A)	-35	-17	-10	-7	-4	-9	-19
L _{wc} (A)	-35	-17	-10	-7	-4	-9	-19

Type:	m: 11/12.4 kg		P _N : 0.16kW-6P				
YAQ/YAR/YAW	U: 380 v		f _i : 50HZ				
450-6 D	I _N : 0.53 A		N: 920 r/min				
ΔdB	125Hz	250Hz	500Hz	1kHz	2kHz	4kHz	8kHz
L _w (A)	-35	-17	-10	-7	-4	-9	-19
L _{wc} (A)	-35	-17	-10	-7	-4	-9	-19

YAQ/YAR/YAW 外形及安装尺寸

YAQ/YAR/YAW Overall Size

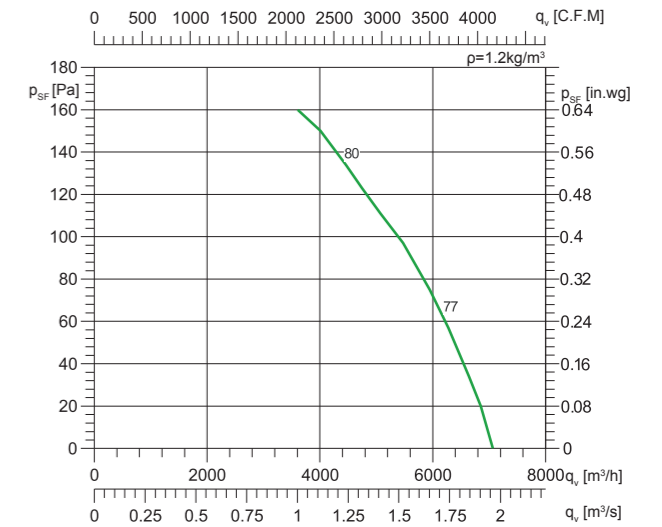
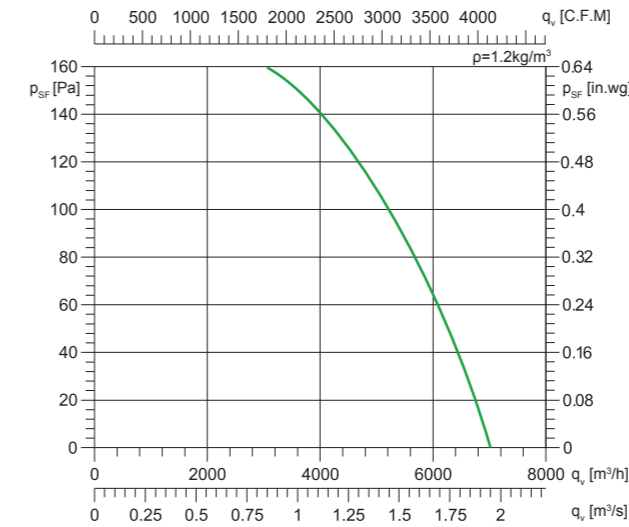


技术参数

Technical Data

YAQ/YAR/YAW 500-4 E

YAQ/YAR/YAW 500-4 D

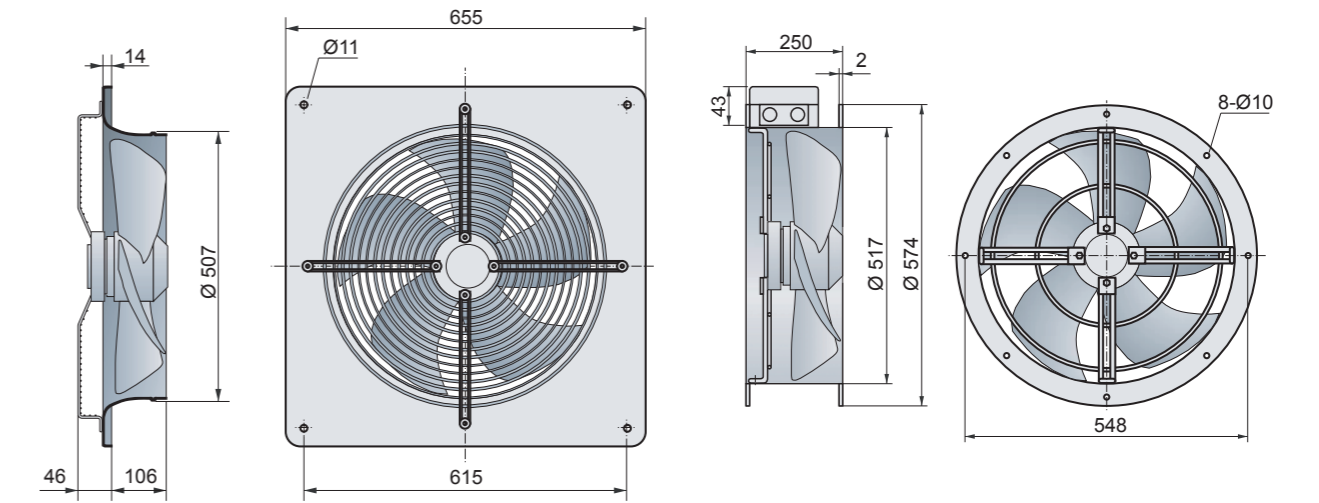


Type:	m: 16.7/17.3 kg		P _N : 0.38kW-4P				
YAQ/YAR/YAW	U: 220 v		f _i : 50HZ				
500-4 E	I _N : 1.7 A		N: 1400 r/min				
ΔdB	125Hz	250Hz	500Hz	1kHz	2kHz	4kHz	8kHz
L _w (A)	-37	-20	-9	-6	-5	-8	-16
L _{wc} (A)	-37	-20	-9	-6	-5	-8	-16

Type:	m: 16.7/17.3 kg		P _N : 0.38kW-4P				
YAQ/YAR/YAW	U: 380 v		f _i : 50HZ				
500-4 D	I _N : 0.85 A		N: 1400 r/min				
ΔdB	125Hz	250Hz	500Hz	1kHz	2kHz	4kHz	8kHz
L _w (A)	-37	-20	-9	-6	-5	-8	-16
L _{wc} (A)	-37	-20	-9	-6	-5	-8	-16

YAQ/YAR/YAW 外形及安装尺寸

YAQ/YAR/YAW Overall Size

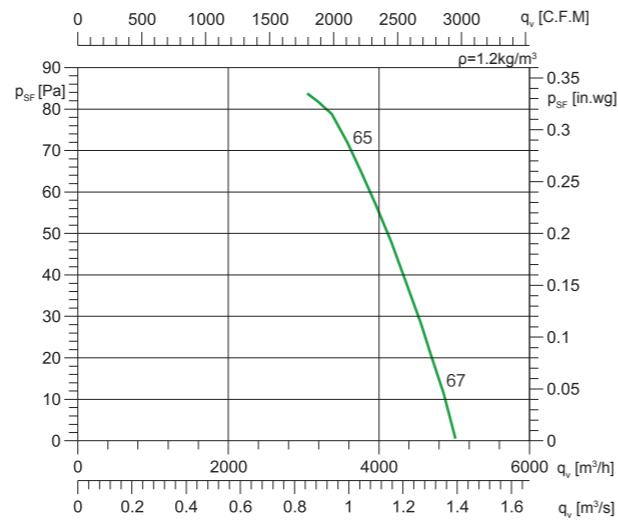
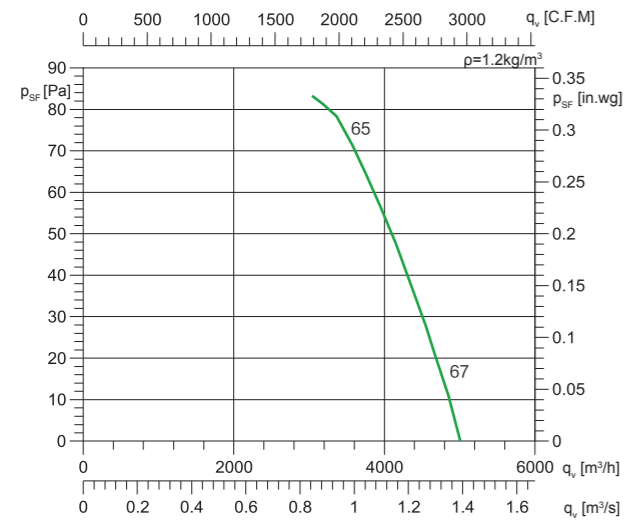


技术参数

Technical Data

YAQ/YAR/YAW 500-6 E

YAQ/YAR/YAW 500-6 D

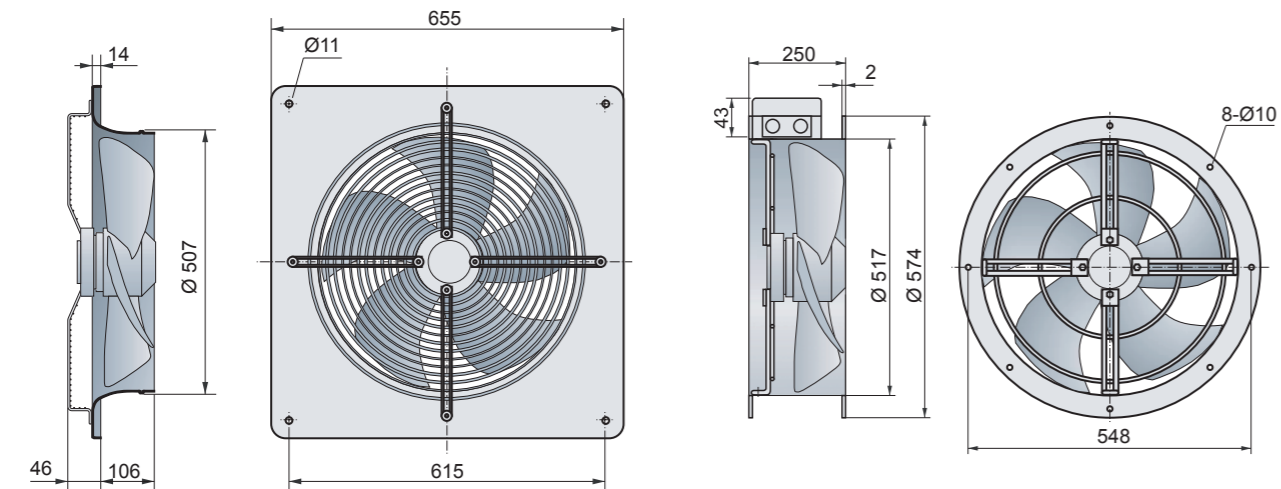


Type:	m: 16.8/17.4 kg		P _N : 0.2kW-6P				
YAQ/YAR/YAW	U: 220 v		f _i : 50HZ				
500-6 E	I _N : 0.91 A		N: 905 r/min				
ΔdB	125Hz	250Hz	500Hz	1kHz	2kHz	4kHz	8kHz
L _w (A)	-36	-17	-10	-7	-4	-9	-19
L _{w0} (A)	-36	-17	-10	-7	-4	-9	-19

Type:	m: 16.8/17.4 kg		P _N : 0.205kW-6P				
YAQ/YAR/YAW	U: 380 v		f _i : 50HZ				
500-6 D	I _N : 0.58 A		N: 905 r/min				
ΔdB	125Hz	250Hz	500Hz	1kHz	2kHz	4kHz	8kHz
L _w (A)	-36	-17	-10	-7	-4	-9	-19
L _{w0} (A)	-36	-17	-10	-7	-4	-9	-19

YAQ/YAR/YAW 外形及安装尺寸

YAQ/YAR/YAW Overall Size

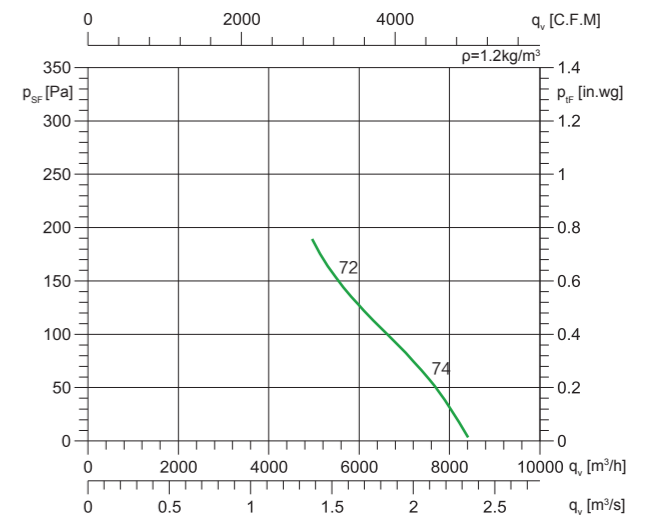
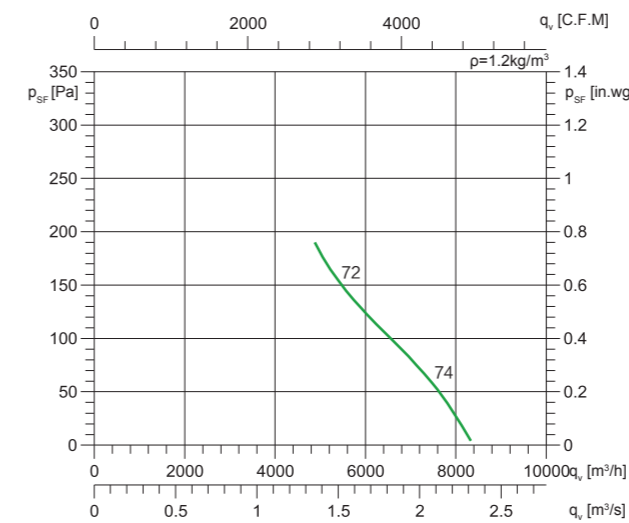


技术参数

Technical Data

YAQ/YAR/YAW 560-4 E

YAQ/YAR/YAW 560-4 D

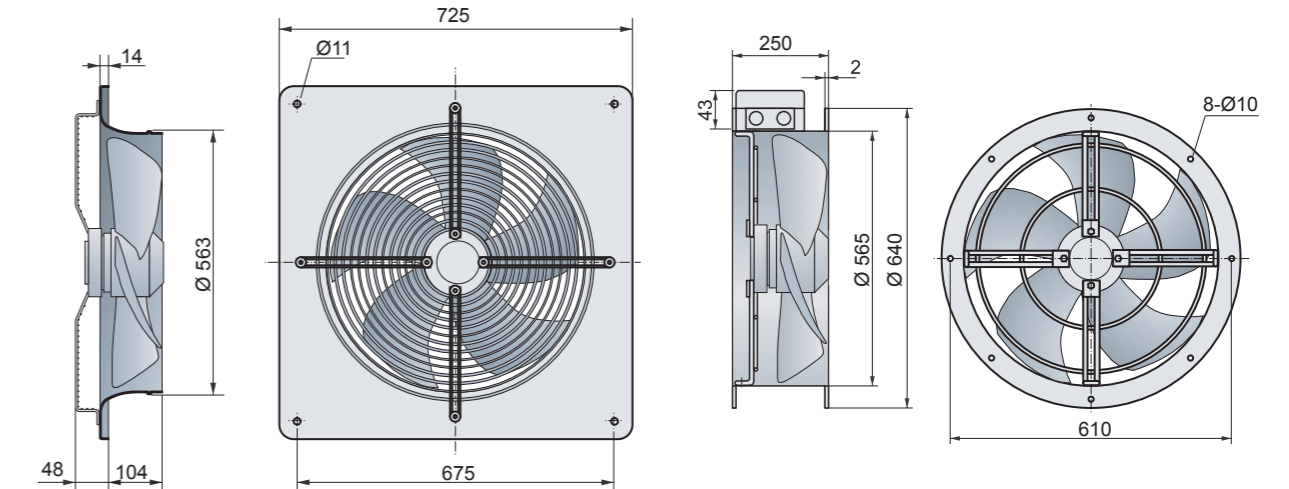


Type:	m: 19.3/19.6 kg		P _N : 0.55kW-4P				
YAQ/YAR/YAW	U: 220 v		f _i : 50HZ				
560-4 E	I _N : 2.6 A		N: 1410 r/min				
ΔdB	125Hz	250Hz	500Hz	1kHz	2kHz	4kHz	8kHz
L _w (A)	-38	-23	-11	-6	-4	-6	-17
L _{w0} (A)	-38	-23	-11	-6	-4	-6	-17

Type:	m: 19.3/19.6 kg		P _N : 0.55kW-4P				
YAQ/YAR/YAW	U: 380 v		f _i : 50HZ				
560-4 D	I _N : 1.24 A		N: 1410 r/min				
ΔdB	125Hz	250Hz	500Hz	1kHz	2kHz	4kHz	8kHz
L _w (A)	-37	-19	-9	-6	-8	-12	-21
L _{w0} (A)	-37	-19	-9	-6	-8	-12	-21

YAQ/YAR/YAW 外形及安装尺寸

YAQ/YAR/YAW Overall Size

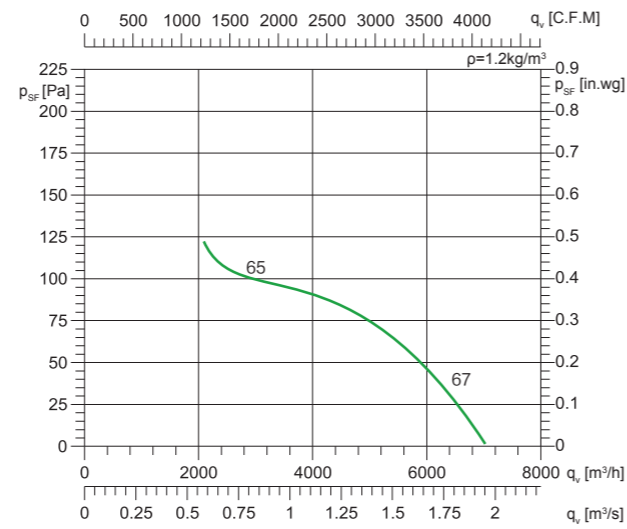
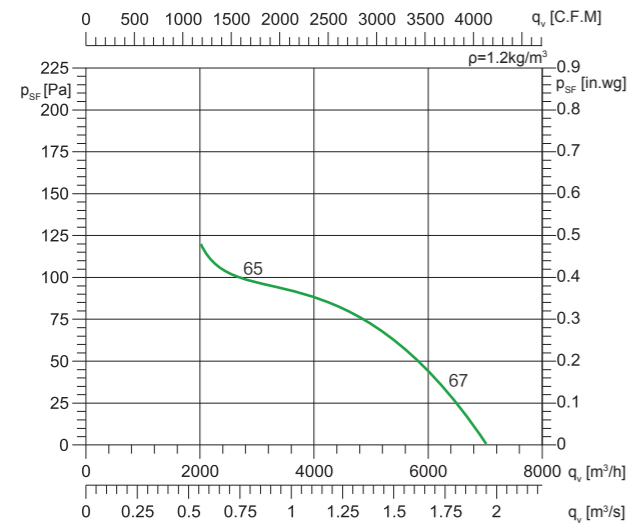


技术参数

Technical Data

YAQ/YAR/YAW 560-6 E

YAQ/YAR/YAW 560-6 D

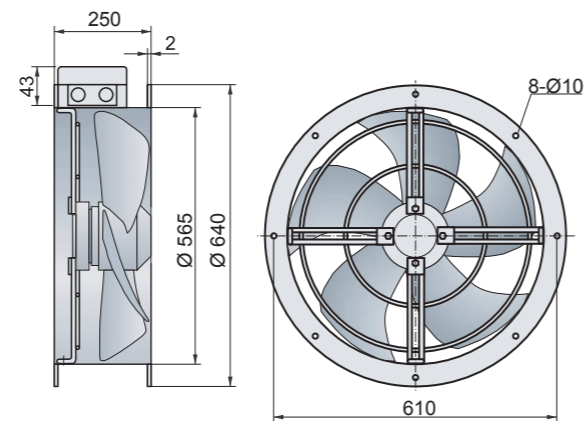
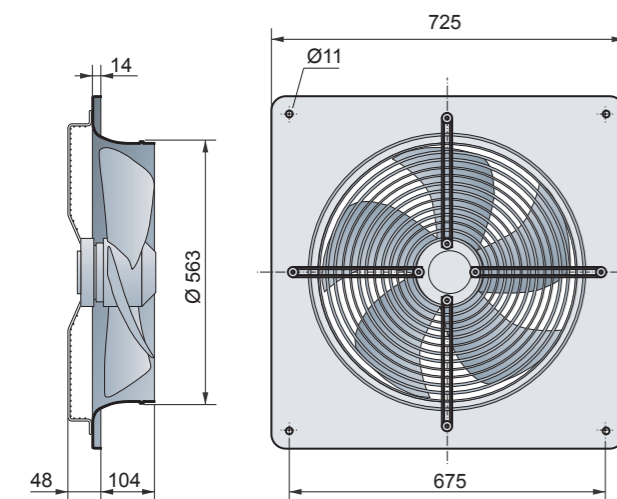


Type: YAQ/YAR/YAW 560-6 E	m: 19.3/19.6 kg	P _N : 0.35kW-6P					
	U: 220 v	f _i : 50HZ					
	I _N : 1.7 A	N: 925 r/min					
ΔdB	125Hz	250Hz	500Hz	1kHz	2kHz	4kHz	8kHz
L _w (A)	-36	-17	-10	-7	-4	-9	-19
L _{w0} (A)	-36	-17	-10	-7	-4	-9	-19

Type: YAQ/YAR/YAW 560-6 D	m: 19.3/19.6 kg	P _N : 0.35kW-6P					
	U: 380 v	f _i : 50HZ					
	I _N : 0.92 A	N: 925 r/min					
ΔdB	125Hz	250Hz	500Hz	1kHz	2kHz	4kHz	8kHz
L _w (A)	-36	-17	-10	-7	-4	-9	-19
L _{w0} (A)	-36	-17	-10	-7	-4	-9	-19

YAQ/YAR/YAW 外形及安装尺寸

YAQ/YAR/YAW Overall Size

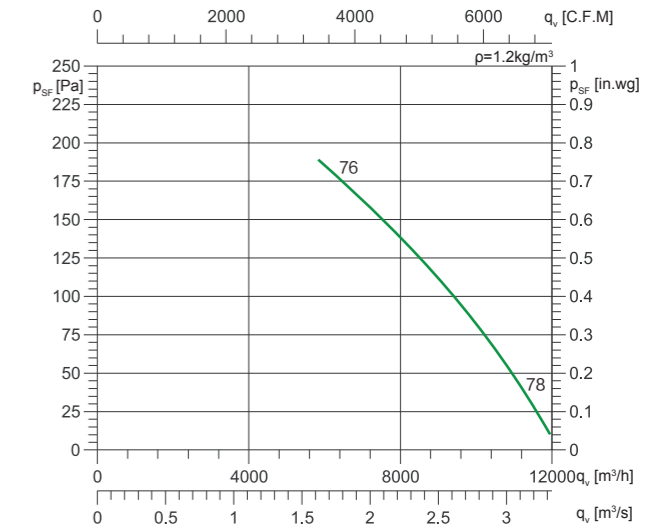
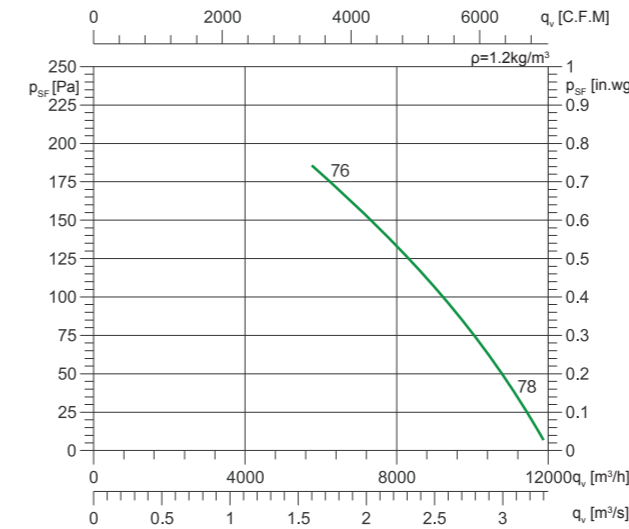


技术参数

Technical Data

YAQ/YAR/YAW 630-4 E

YAQ/YAR/YAW 630-4 D

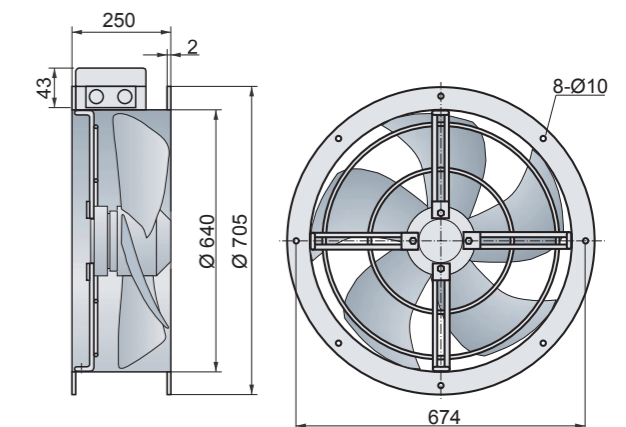
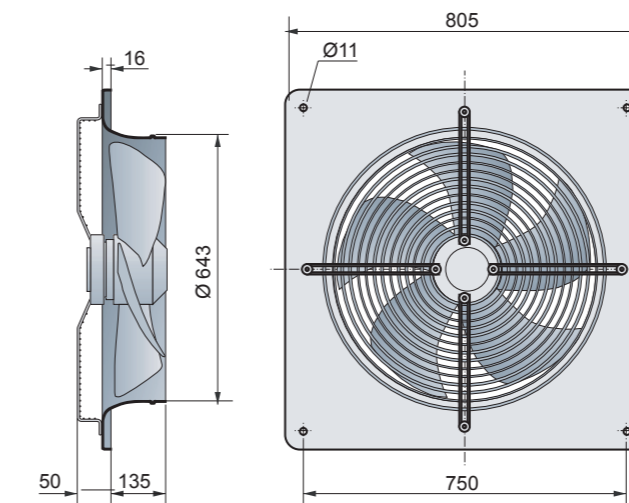


Type: YAQ/YAR/YAW 630-4 E	m: 26 / 25 kg	P _N : 0.78kW-4P					
	U: 220 v	f _i : 50HZ					
	I _N : 3.6 A	N: 1410 r/min					
ΔdB	125Hz	250Hz	500Hz	1kHz	2kHz	4kHz	8kHz
L _w (A)	-35	-20	-10	-5	-5	-8	-19
L _{w0} (A)	-35	-20	-10	-5	-5	-8	-19

Type: YAQ/YAR/YAW 630-4 D	m: 26 / 25 kg	P _N : 0.78kW-4P					
	U: 380 v	f _i : 50HZ					
	I _N : 1.65 A	N: 1410 r/min					
ΔdB	125Hz	250Hz	500Hz	1kHz	2kHz	4kHz	8kHz
L _w (A)	-35	-20	-10	-5	-5	-8	-19
L _{w0} (A)	-35	-20	-10	-5	-5	-8	-19

YAQ/YAR/YAW 外形及安装尺寸

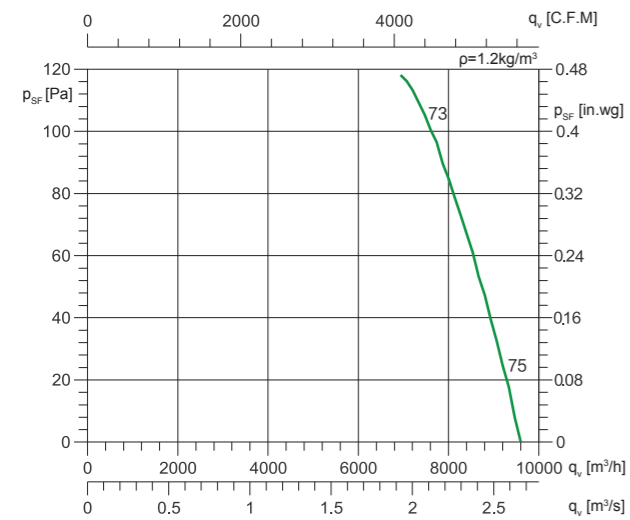
YAQ/YAR/YAW Overall Size



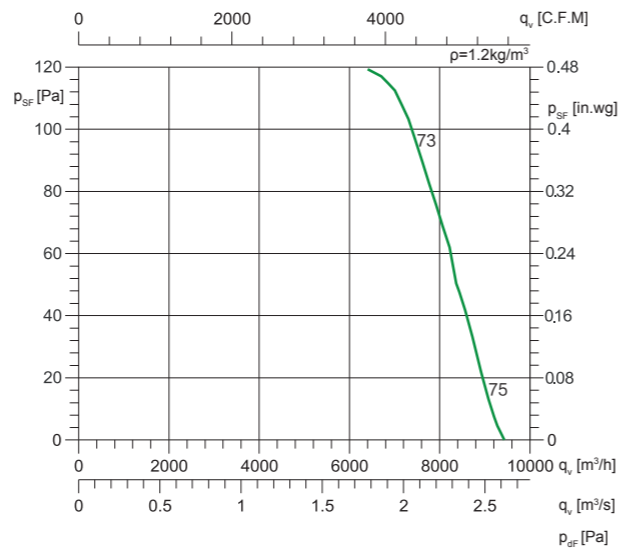
技术参数

Technical Data

YAQ/YAR/YAW 630-6 E



YAQ/YAR/YAW 630-6 D

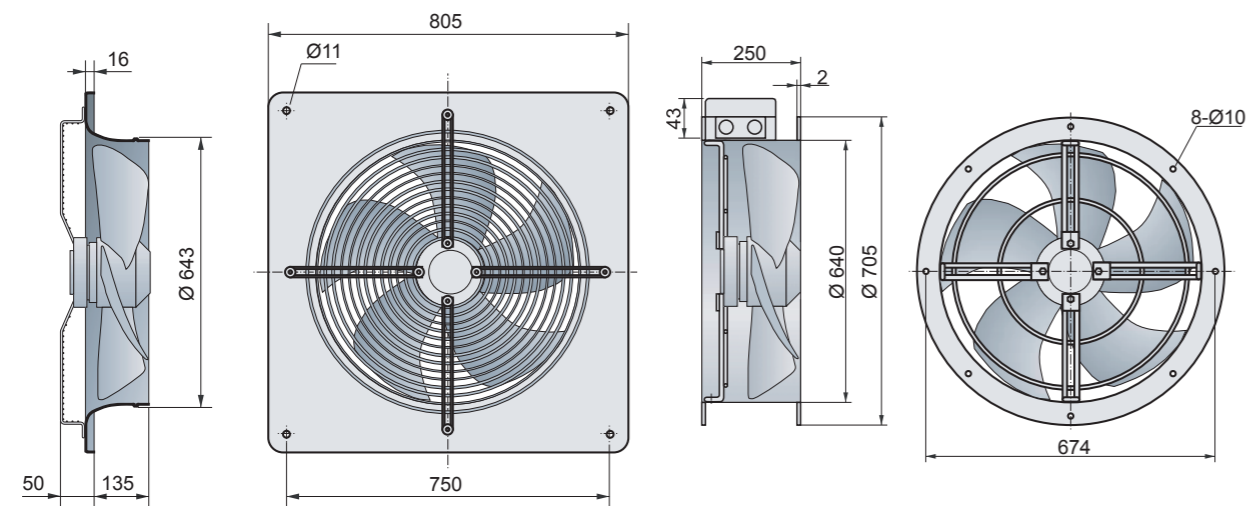


Type:	m: 26 / 25 kg	P _N : 0.54kW-6P					
YAQ/YAR/YAW 630-6 E	U: 220 v	f _i : 50HZ					
	I _N : 2.5 A	N: 930 r/min					
ΔdB	125Hz	250Hz	500Hz	1kHz	2kHz	4kHz	8kHz
L _w (A)	-16	-16	-10	-9	-10	-17	-26
L _{w0} (A)	-39	-21	-11	-7	-3	-7	-18

Type:	m: 26 / 25 kg	P _N : 0.52kW-6P					
YAQ/YAR/YAW 630-6D	U: 380 v	f _i : 50HZ					
	I _N : 1.38 A	N: 930 r/min					
ΔdB	125Hz	250Hz	500Hz	1kHz	2kHz	4kHz	8kHz
L _w (A)	-39	-21	-11	-7	-3	-7	-18
L _{w0} (A)	-39	-21	-11	-7	-3	-7	-18

YAQ/YAR/YAW 外形及安装尺寸

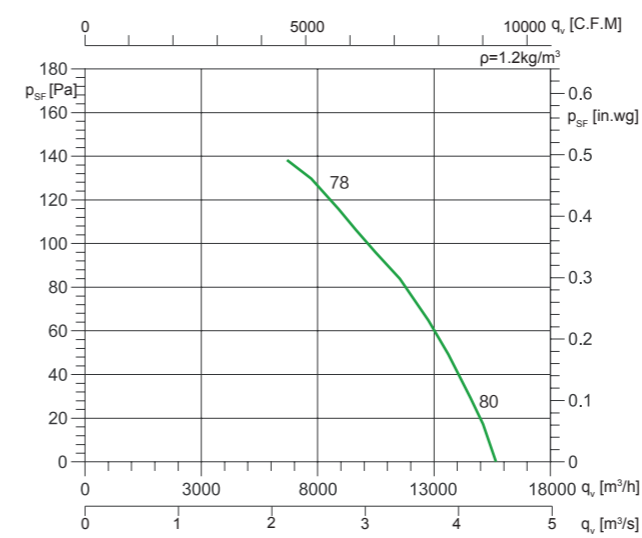
YAQ/YAR/YAW Overall Size



技术参数

Technical Data

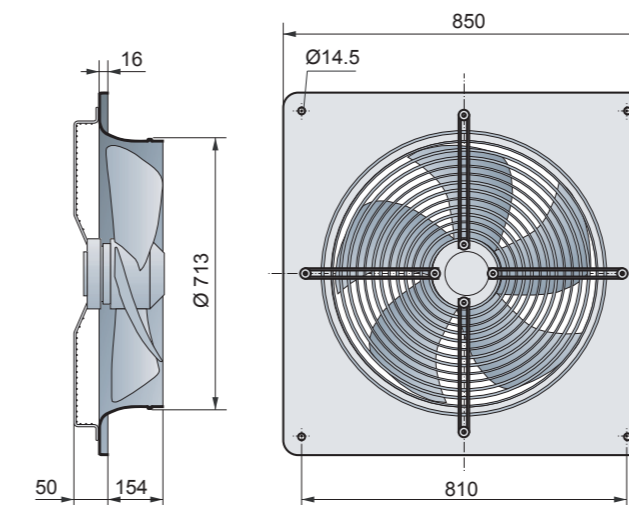
YAQ/YAW 710-6 D



Type:	m: 41 kg	P _N : 1.05kW-6P					
YAQ/YAW 710-6 D	U: 380 v	f _i : 50HZ					
	I _N : 2.4 A	N: 925 r/min					
ΔdB	125Hz	250Hz	500Hz	1kHz	2kHz	4kHz	8kHz
L _w (A)	-37	-20	-9	-6	-5	-8	-16
L _{w0} (A)	-37	-20	-9	-6	-5	-8	-16

YAQ/YAW 外形及安装尺寸

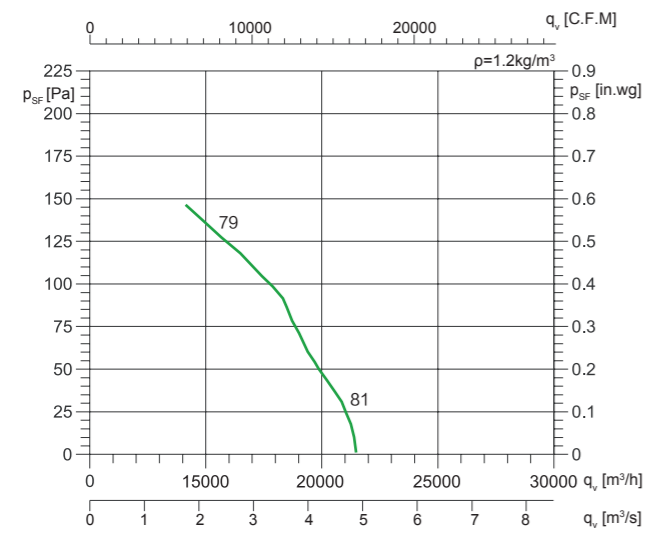
YAQ/YAW Overall Size



技术参数

Technical Data

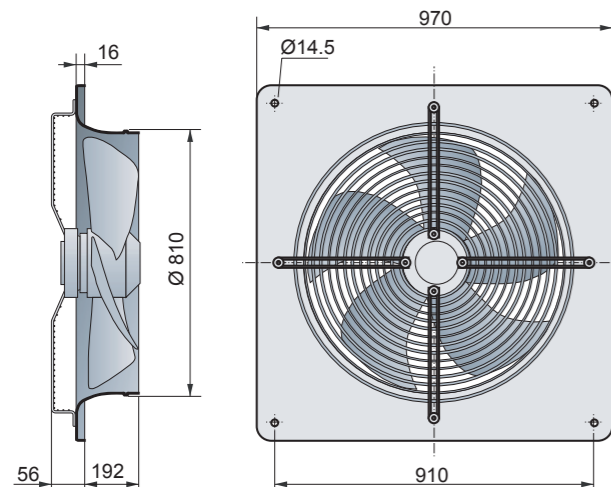
YAQ 800-6 D



Type: YAQ 800-6 D	m: 47 kg	P _N : 1.4kW-6P					
	U: 380 v	f _i : 50HZ					
	I _N : 3.4 A	N: 920 r/min					
ΔdB	125Hz	250Hz	500Hz	1kHz	2kHz	4kHz	8kHz
L _w (A)	-36	-17	-10	-7	-4	-9	-19
L _{w0} (A)	-36	-17	-10	-7	-4	-9	-19

YAQ 外形及安装尺寸

YAQ Overall Size



YG/YGS/YGE/YGSE 系列管道风机